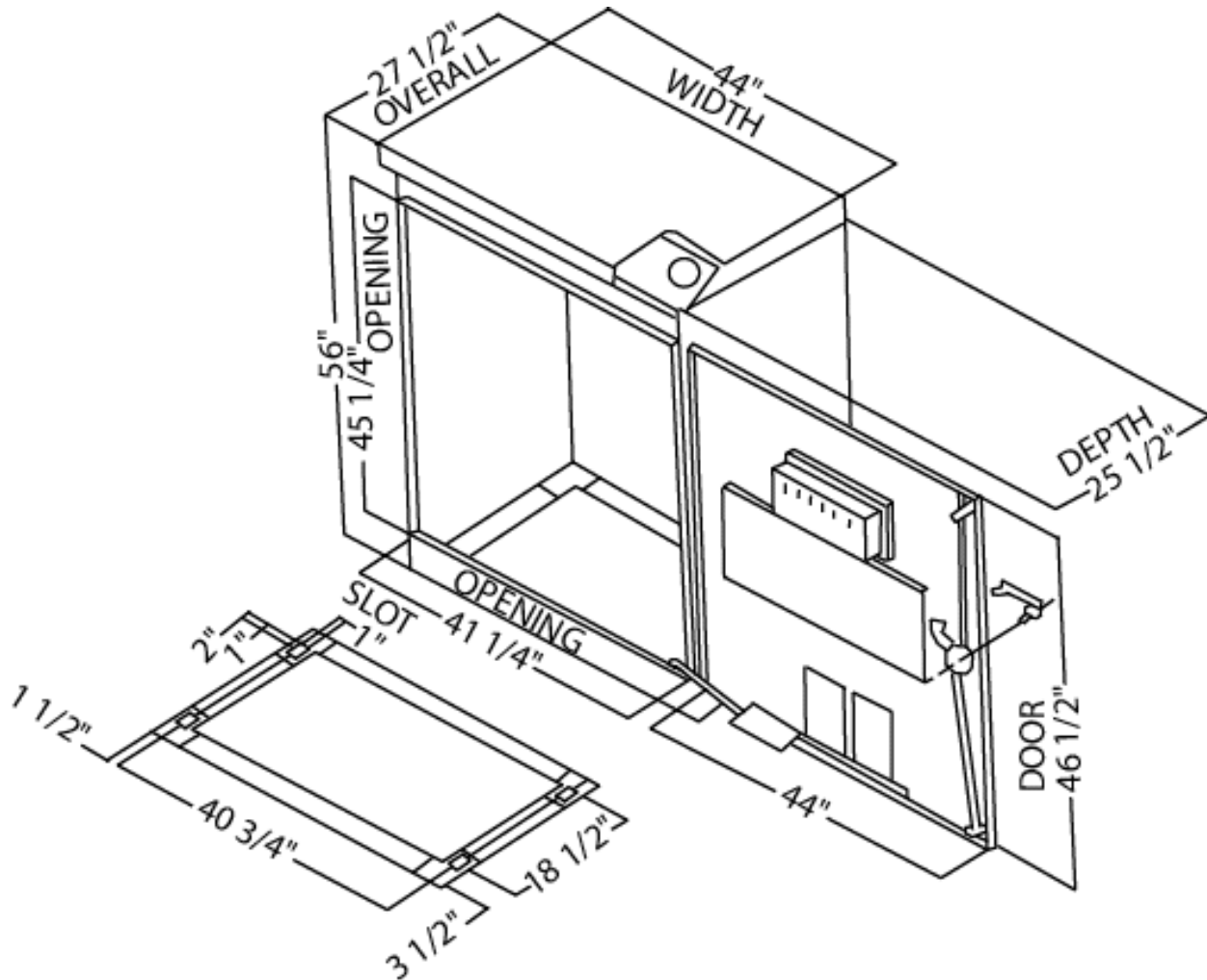


Size P Cabinet



Options

1. Special fan mounting available.
2. Outward rotating door handle.
3. Double-flanged door frame to provide a better splash shield.
4. Continuously welded enclosure for maximum protection from contaminants.
5. Heavy gauge stainless steel continuous hinge utilizing a non-removable 3/16"-diameter hinge pin.
6. Mounting option includes pole arrangement.
7. Special lock keying combinations.
8. Door locking mechanism utilizing duplex nylon rollers, top and bottom.
9. Three position automatic door stop positioning mechanism.
10. Special paint per customer requirements.

CATALOG NO.	DESCRIPTION
EL 712	Base Mount